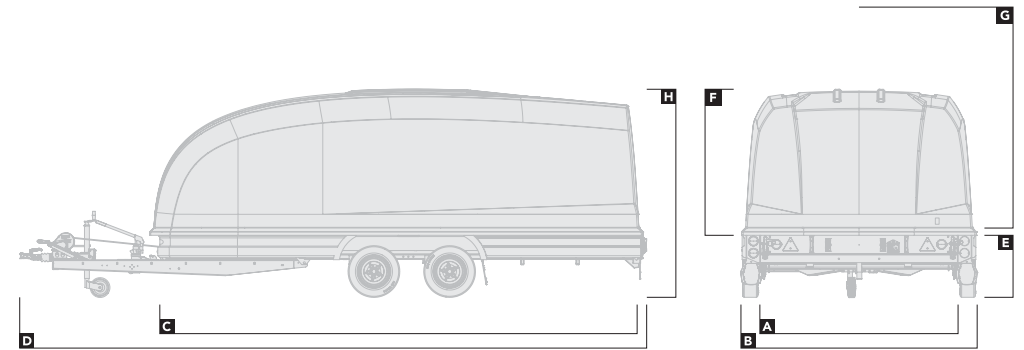


# Race Shuttle 3



## Overview

		330-1010	330-1011	330-1021
<b>DIMENSIONS</b>		dimensions in metres		
Bed width	<b>A</b>	1.95	1.95	1.95
Overall width	<b>B</b>	2.3	2.3	2.3
Bed length	<b>C</b>	4.7	4.7	4.7
Overall length	<b>D</b>	6.2	6.2	6.2
Bed height	<b>E</b>	0.43	0.42	0.42
Internal height	<b>F</b>	1.6	1.6	1.6
Door aperture height	<b>G</b>	2.5	2.5	2.5
Overall height	<b>H</b>	1.99	1.99	1.99
<b>CAPACITY</b>		weight in kg		
Gross capacity		2,600	2,600	3,000
Load capacity		1,690	1,670	2,070

Load capacity will vary depending on options fitted -  
For accurate information on weights and pricing, use our interactive configurator at [www.brianjamestrailers.co.uk](http://www.brianjamestrailers.co.uk)

## Equipment

		330-1010	330-1011	330-1021
<b>EXTERIOR</b>		● Standard ○ Option – Not available		
	Full LED lighting	●	●	●
<b>LOADING</b>				
	Loading ramps - 2.5m	●	●	●
	Manual / Electric winch	○	○	○
	Manual tilt-bed	–	●	●
<b>LOAD RESTRAINT</b>				
	Tie-down straps	○	○	○
	Wheel chocks / Stop bar	○	○	○
<b>RUNNING GEAR</b>				
	Alloy wheels - Silver or Anthracite	○	○	○
	Locking hitch	●	●	●
	Spare wheel	●	●	●
<b>STORAGE</b>				
	Tyre rack	○	○	○